

GOLD ASSAY RESULTS: NORTHEAST NEWFOUNDLAND COASTAL AND INNER-SHELF SEABED SAMPLES

K.A. Edwardson, D.L. Forbes and J. Shaw

GEOLOGICAL SURVEY OF CANADA OPEN FILE 2772

Atlantic Geoscience Centre
Geological Survey of Canada
P.O. Box 1006, Dartmouth, Nova Scotia
B2Y 4A2, Canada

1993



Energy, Mines and
Resources, Canada

Énergie, Mines et
Ressources, Canada

Geological Survey
of Canada



Commission géologique
du Canada

Canada

GOLD ASSAY RESULTS: NORTHEAST NEWFOUNDLAND COASTAL AND INNER-SHELF SEABED SAMPLES

K.A. Edwardson, D.L. Forbes and J. Shaw

**Geological Survey of Canada
Open File 2772**

Atlantic Geoscience Centre
Geological Survey of Canada
P.O. Box 1006, Dartmouth, Nova Scotia
B2Y 4A2, Canada

1993

COOPERATION	COOPERATION AGREEMENT ON MINERAL DEVELOPMENT	ENTENTE DE COOPÉRATION SUR L'EXPLOITATION MINÉRALE
	Contribution to Canada-Newfoundland Cooperation Agreement on Mineral Development 1990-1994 a subsidiary agreement under the Economic and Regional Development Agreement. Project funded by the Geological Survey of Canada.	
	Contribution à l'Entente de coopération Canada-Terre-Neuve sur l'exploitation minérale 1990 - 1994 dans le cadre de l'Entente de développement économique et régional. Ce projet a été financé par la Commission géologique du Canada.	
	 Canada	 Newfoundland Terre-Neuve

CONTENTS

	Page
Introduction	1
Methods	1
Results and Discussion	4
References.....	8

FIGURES

1. Areas of sample collection for cruises 92301 and 92042.....	2
2. Flow chart depicting sample processing.....	3
3. Kuryluk separator.....	5
4. Head grade of gold in relation to water depth.....	7

TABLES

1. Size fraction weights and identifiable gold.....	9-20
2. Gold values.....	21-32
3. Weight and size of visible mineral grains	33

INTRODUCTION

This report presents the results of gold assays on samples collected during 1992 under project C1.311 (Placer Mineral Potential off Northeast Newfoundland), part of the Canada-Newfoundland Cooperation Agreement on Mineral Development (1990-1994). Sampling regions are presented in Figure 1. The samples were obtained in the course of two cruises. The first (cruise 92301) was a combined beach and nearshore program with limited work from a chartered fishing vessel (*MV Nicholas & Paul*) described in the cruise report by Edwardson et al. (1993). The objectives of this program included assessment of placer gold potential in coastal sediments proximal to known onshore gold occurrences in the Gander Bay, Dog Bay, New World Island, Green Bay and Baie Verte areas. The second cruise (*CSS Parizeau* 92042) was an extensive marine survey and sampling program with multiple objectives, including new information on the late- and postglacial stratigraphy of sediment packages in several fjord basins (Bay of Exploits, New Bay, Badger Bay and Green Bay) and the deep basin of Notre Dame Bay, in order to improve understanding of glacial processes that may have transported gold from onland bedrock sources onto the present inner shelf. Further assessment of the placer gold potential in seabed sediments from the region was another important objective.

METHODS

Various sampling techniques were employed in this study. Beach samples were obtained with hand scoops or trowels and taken from the surface or very shallow depths (<0.1 m). Ekman and Ponar grab samplers were used to collect samples from an inflatable boat and a Boston Whaler in shallow nearshore waters during cruise 92301. A van Veen grab sampler was used to collect samples in deeper water (<52 m) from the *MV Nicholas & Paul*. During cruise 92042, most samples were obtained with a large-volume IKU grab. Some samples were collected using a van Veen sampler and a number of piston and vibracores were also obtained. Water depths at sampling sites represented in this data set ranged from 38 to 167 m. All grab samples were double-bagged and suitably labelled. Cores were split, photographed, and described. All samples and cores are archived at the Atlantic Geoscience Centre, Bedford Institute of Oceanography.

Sample analyses were completed by M-Tech Inc., Elmsdale, Nova Scotia, under contract from the Geological Survey of Canada (Kuryluk and Raymond, 1993). Samples were wet screened into six size fractions (Figure 2, Table 1). The screen sizes used were Tyler designations, as follows:

- 10 mesh – 2.00 mm,
- 20 mesh – 0.84 mm,
- 60 mesh – 0.25 mm,
- 100 mesh – 0.15 mm,
- 200 mesh – 0.075 mm.

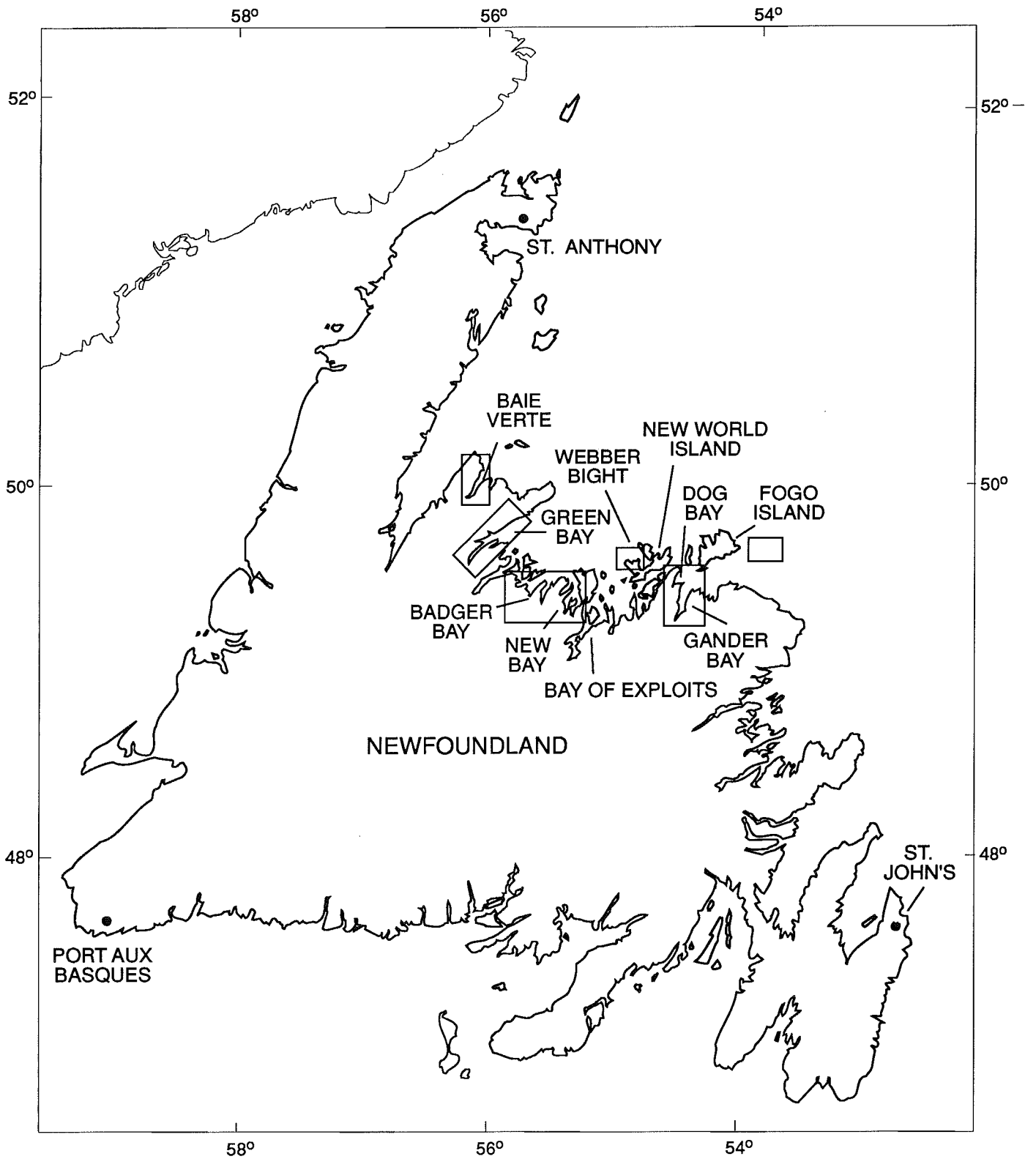


Figure 1. Areas of sample collection, shown as boxes, for cruises 92301 and 92042.

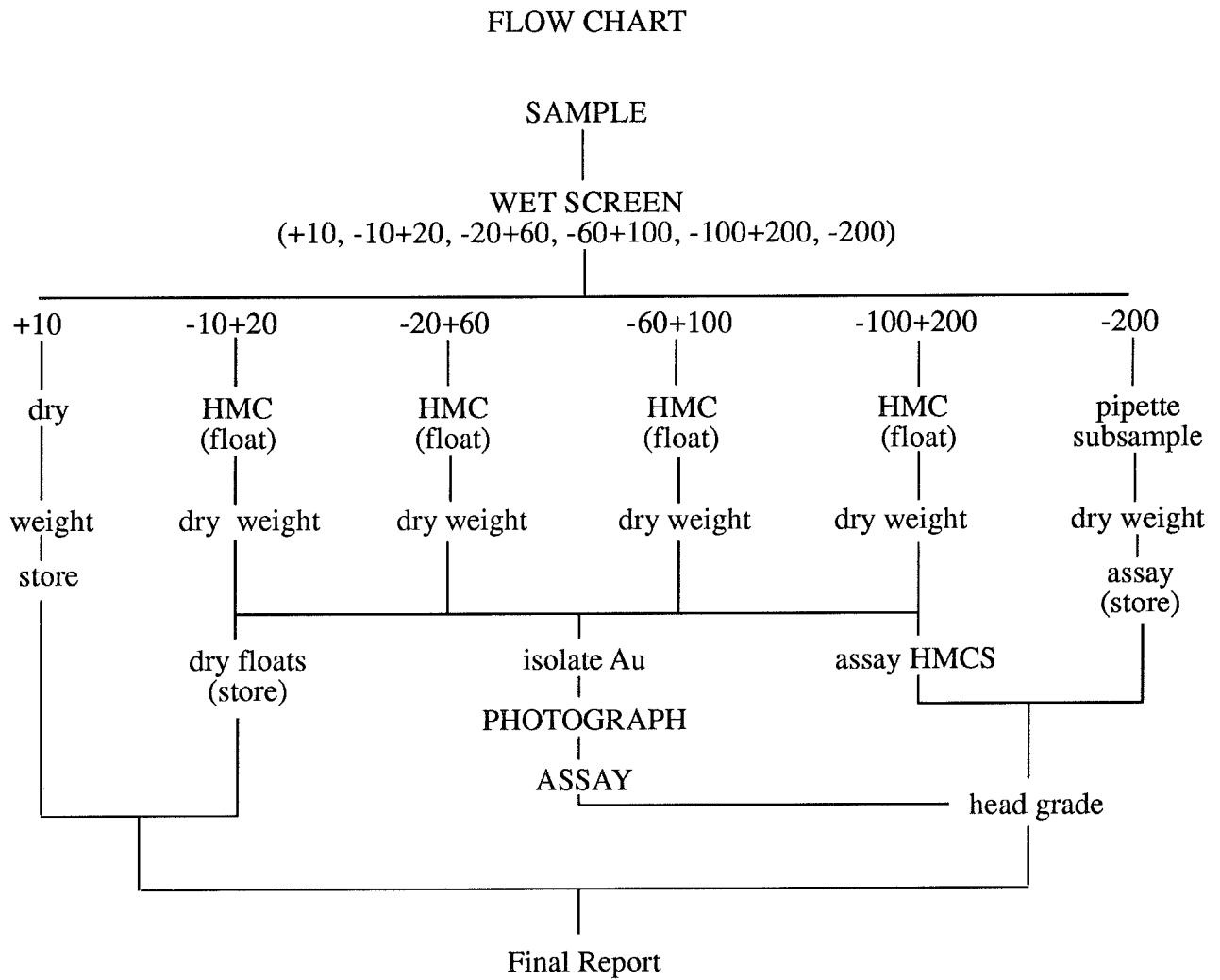


Figure 2. Flow chart depicting the processing of the sample (Kuryluk and Raymond, 1993).

The +10 mesh (>2.00 mm) fraction was dried, weighed and stored. The -200 mesh fraction (material finer than 0.075 mm passing through this mesh size) was analysed by pipette to determine its weight. This fraction was also subsampled for gold assay and the remainder was stored wet. The intervening fractions [-10+20 (0.84-2.00 mm), -20+60 (0.25-0.84 mm), -60+100 (0.15-0.25 mm) and -100+200 (0.075-0.15 mm)] were concentrated with the KMS [Kuryluk Separator] (Figure 3) to produce a heavy mineral concentrate (HMC) (specific gravity >3.5) and float from each fraction. The float material was dried and stored. The concentrate was examined with a binocular microscope to determine gold grain content and shape. Each concentrate was dried and weighed (Table 1). The four concentrates from each sample were combined for gold determination by fire assay with an Atomic Absorption finish, after the individual gold grains were isolated. The gold content of the isolated gold grains was determined separately, by Atomic Absorption.

A head sample result was calculated from the values obtained on the concentrate, -200 mesh subsamples, and isolated gold grains. This result was computed using two methods. The first (labelled "head grade" in Table 2) was calculated assuming no gold value on the float (all material excluding the HMC and the -200 mesh fraction), as follows:

$$HG_1 = (Au_C \cdot m_C + Au_{-200} \cdot m_{-200}) / m_T [1]$$

where HG is head grade, Au_C and Au_{-200} are the concentration of gold in the HMC (isolated gold grains and gold from the four concentrates) and -200 mesh fractions respectively, and m_C , m_{-200} , and m_T are the weights of the HMC, -200 mesh fraction, and total sample. The second value (labelled "head grade" in Table 2), assuming that the gold concentration in the float was equal to that in the -200 mesh fraction, was calculated as follows:

$$HG_2 = (Au_C \cdot m_C + Au_{-200} \cdot m_{-200+F}) / m_T [2]$$

where m_{-200+F} is the total weight of the -200 mesh fraction and the float.

Several samples contained what appeared to be visible gold grains when observed through a 400-power binocular microscope. All grains observed are reported in Table 1. Each was isolated, photographed, and digested in Aqua Regia made to volume. Grain composition was determined by Atomic Absorption.

RESULTS AND DISCUSSION

Sample depths range from 0 to 167 m. Of the 59 samples, 19 were collected from beaches in Gander Bay, Dog Bay, New World Island, and Green Bay and another 11 were taken from depths of 10 m or less.

LEGEND

- 1. KMS unit
- 2. water control valve
- 3. water pressure reducing valve
- 4. mixing control valve
- 5. water supply
- 6. KMS hopper
- 7. hopper discharge
- 8. chemistry stand
- 9. mineral exit port
- 10. mineral collection tray
- 11. sample
- 12. vascular clamp

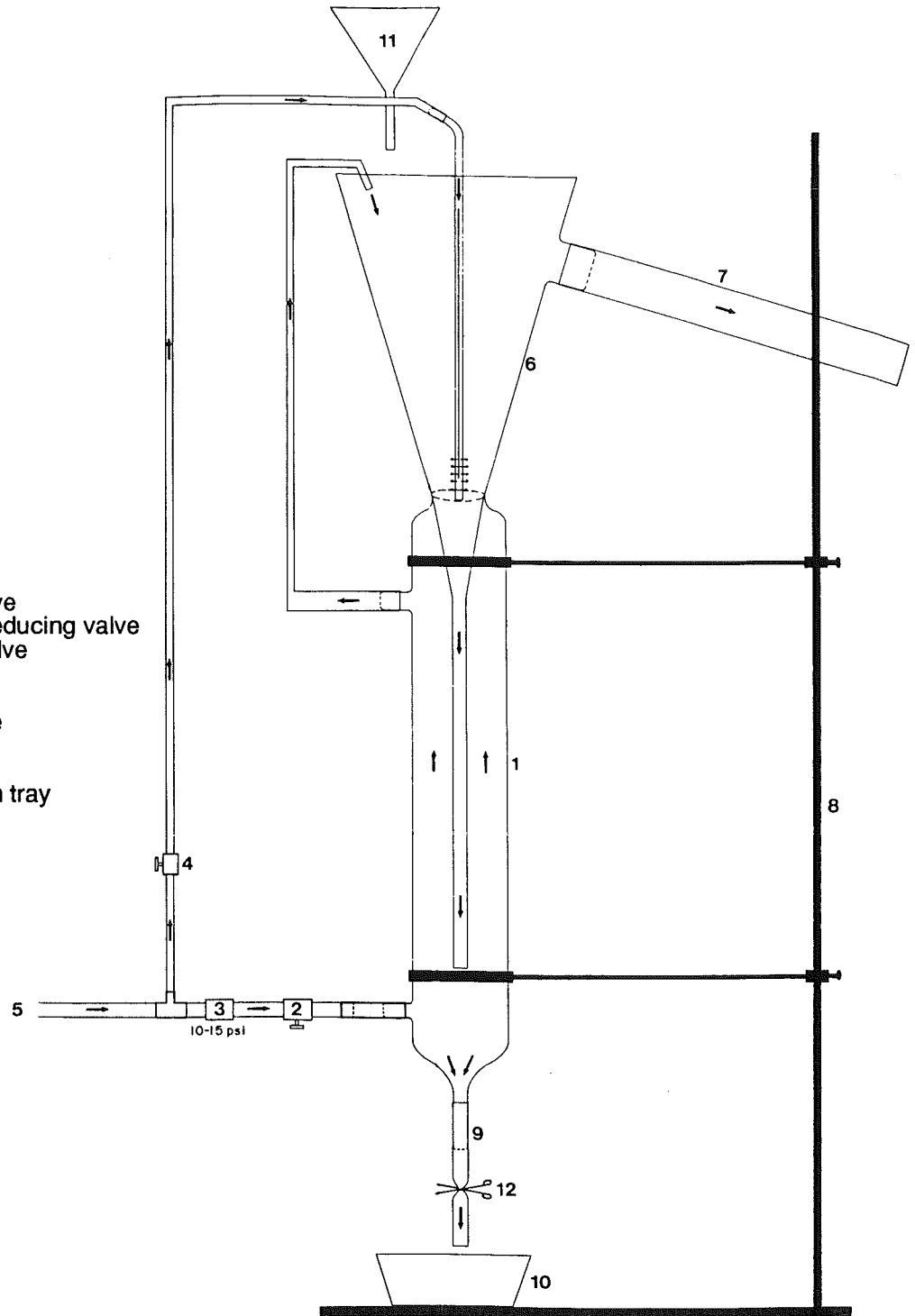


Figure 3. Kuryluk Separator. The sample is fed into the hopper and buoyed up by a stream of water. Heavy minerals sink when the stream velocity is decreased and gold is the first mineral to drop out because of its high specific gravity. Figure supplied by M-Tech Incorporated.

Head grades obtained in these samples range from <0.1 to 45 ppb Au [equation 1] and 5 to 1449 ppb [equation 2]. Our previous work in the area has demonstrated that a large part of the gold in many samples resides in the mud fraction (Shaw et al., 1990; Emory-Moore, 1991; Emory-Moore and Davis, 1992), suggesting that equation 2 may substantially overestimate the true grade.

The highest concentration in this data set is from a nearshore sample at Victoria Cove in Gander Bay. Several samples from this beach and Rodgers Cove to the west show elevated values of gold. Comparable values were also found in several samples from a core obtained in 52 m water depth in Deer Cove, Baie Verte, the area yielding the highest values in samples collected earlier in the project (Forbes et al., 1992).

Other areas showing elevated gold values include parts of Dog Bay, one or two sites along the east side of outer Green Bay, and deeper seabed sites east of Fogo Island (Table 2). Figure 4 shows the distribution of head grade values with water depth. While this shows some evidence for concentration of gold at present sea level, there are no other unambiguous patterns in this plot. Elevated values of HG_2 (at 48 and 71 to 84 m off Fogo Island and at 74 m off La Scie) suggest that further investigation in those areas may be warranted. In particular, earlier work under this project off La Scie (Shaw, 1991) has revealed elevated gold concentrations in some samples. The peak in the distribution of HG_1 at 52 m reflects the relatively high values in the core from Deer Cove (sample 92042-021).

Five samples of isolated grains returned values lower than the detection limit for gold. Six others, with grain sizes ranging from 0.14 to 0.46 mm, yielded values from 2.8 to 19 $\mu\text{m Au}$. All samples were also assayed for silver and copper (Table 3). In addition to the copper, gold, and silver, it appeared from visual examination that several samples may contain cassiterite, chalcopyrite and magnetite. The differing grain morphologies suggest a range of transport histories.

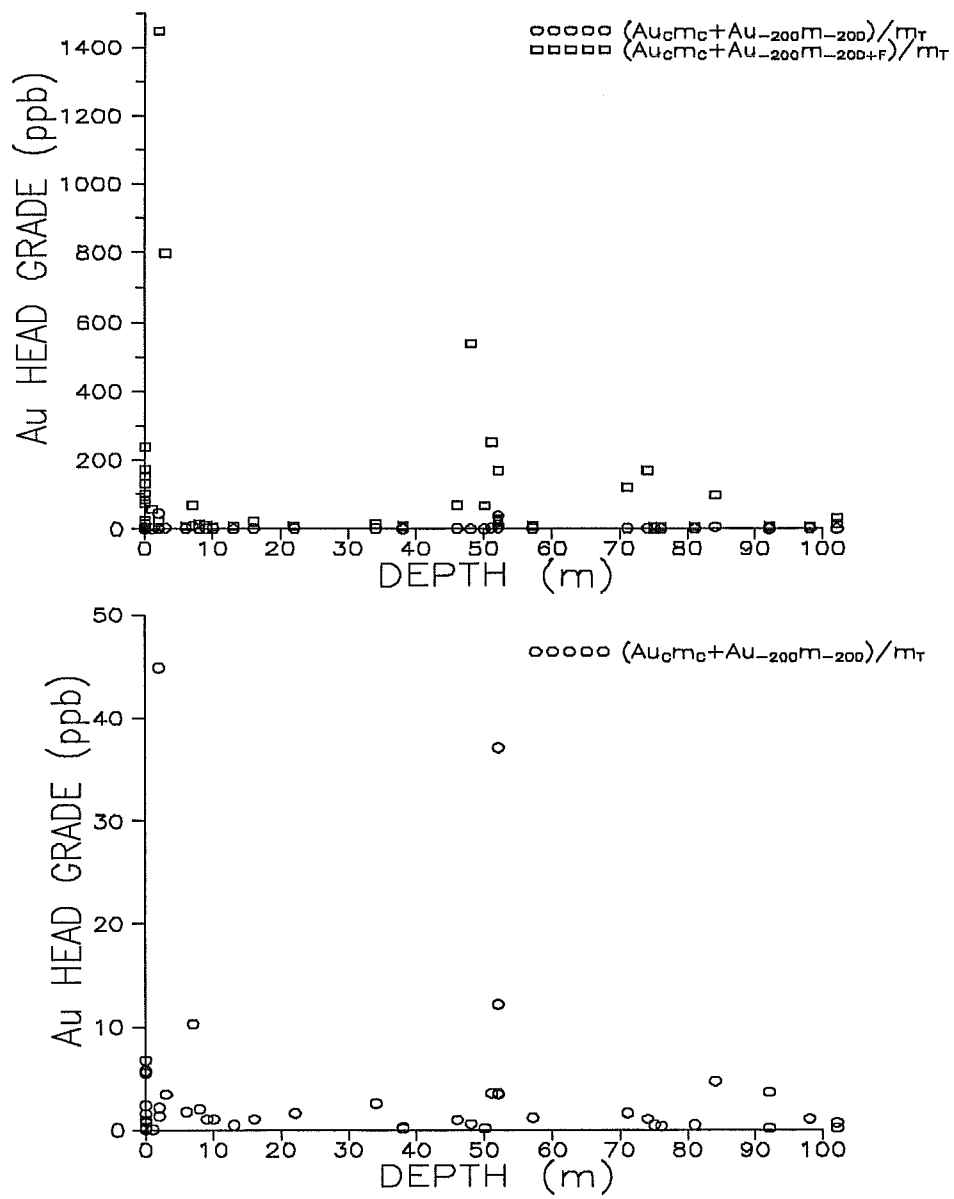


Figure 4. Head grade of gold in relation to water depth.

REFERENCES

- EDWARDSON, K.A., FORBES, D.L., SHAW, J., JOHNSTON, L., FROBEL, D. and LOCKE, D. 1993. Nearshore and beach surveys along the northeast Newfoundland coast: Dog Bay, Gander Bay, Green Bay and Baie Verte. Geological Survey of Canada, Open File 2619, 29 p. with maps and appendices.
- EMORY-MOORE, M. 1991. Gold placer potential of the northern Newfoundland shelf. C-CORE contract report 91-C7, Geological Survey of Canada, Open File 2417, 61 p. and appendices.
- EMORY-MOORE, M. and DAVIS, L. 1992. Detrital gold occurrences, northern Newfoundland shelf. C-CORE contract report 92-C6, Geological Survey of Canada, Open File 2591, 35 p. and appendices.
- FORBES, D.L., EDWARDSON, K.A. and SHAW, J. 1992. Quaternary geology and placer gold studies, northeast Newfoundland coast and inner shelf [abstract and poster]. In: Report of Activities, Geological Survey, Newfoundland Department of Mines and Energy, St. John's, p. 70-71.
- FORBES, D.L., SHAW, J., EDWARDSON, K.A., CURRIE, R. and ATKINSON, A. 1993. *CSS Parizeau* operations in Newfoundland coastal waters: St. John's Harbour approaches, vicinity of Fogo Island, Notre Dame Bay, Bay of Exploits, New Bay, Badger Bay, Green Bay, and Cape St. John to Horse Islands and Baie Verte (cruise report 92042). Geological Survey of Canada, Open File (in preparation).
- KURYLUK, M. and RAYMOND, C.D. 1993. Bedford Institute of Oceanography ocean sediments. M-Tech Inc., Elmsdale, N.S., contract report to Atlantic Geoscience Centre, Geological Survey of Canada, Dartmouth, 35 p.
- SHAW, J. 1991. Quaternary sediments and seabed conditions offshore from La Scie, Newfoundland. Geological Survey of Canada, Open File 2385, 6 p. with 3 figures and 2 enclosures.
- SHAW, J., SOLOMON, S.M., EMORY-MOORE, M., FORBES, D.L. and PROUDFOOT, D.N. 1990. Geochemical data and gold assay results for seabed samples from inner-shelf sites off northeast Newfoundland. Geological Survey of Canada, Open File 2294, 5 p. and enclosure.

Table 1. Size fraction weights and identifiable gold. (Note: ND = not detected; * = not determined)

SAMPLE NUMBER	Weight (g)	HMC Wt (g)	#Au Grains Observed	Grain Shape
92301-005B				
+10	1464	*	*	
-10+20	392	0.255	ND	
-20+60	521	0.336	ND	
-60+100	1107	0.168	2	1 BALL, 1 FLAT
-100+200	558	0.240	1	1 BALL
-200	34	*	*	
TOTAL	4076	*	*	
92301-012B				
+10	1741	*	*	
-10+20	148	0.207	ND	
-20+60	160	0.224	ND	
-60+100	355	0.143	ND	
-100+200	315	0.156	ND	
-200	326	*	*	
TOTAL	3045	*	*	
92301-015B				
+10	90	*	*	
-10+20	4	0.090	ND	
-20+60	141	0.644	ND	
-60+100	2852	0.255	ND	
-100+200	174	0.196	ND	
-200	20	*	*	
TOTAL	3281	*	*	
92301-026B				
+10	1229	*	*	
-10+20	127	0.670	ND	
-20+60	203	0.207	ND	
-60+100	761	0.157	ND	
-100+200	1529	0.185	ND	
-200	96	*	*	
TOTAL	3945	*	*	
92301-028B				
+10	724	*	*	
-10+20	641	0.436	ND	
-20+60	453	0.386	ND	
-60+100	642	0.169	ND	
-100+200	1121	0.183	ND	
-200	44	*	*	
TOTAL	3625	*	*	

SAMPLE NUMBER	Weight (g)	HMC Wt (g)	#Au Grains Observed	Grain Shape
92301-031B				
+10	714	*	*	
-10+20	179	0.241	ND	
-20+60	164	0.147	ND	
-60+100	284	0.118	ND	
-100+200	204	0.145	ND	
-200	48	*	*	
TOTAL	1593	*	*	
92301-033B				
+10	2144	*	*	
-10+20	7	0.151	ND	
-20+60	41	0.221	ND	
-60+100	26	0.198	ND	
-100+200	7	0.175	ND	
-200	124	*	*	
TOTAL	2349	*	*	
92301-039B				
+10	385	*	*	
-10+20	85	0.203	ND	
-20+60	231	0.164	ND	
-60+100	248	0.124	ND	
-100+200	332	0.183	ND	
-200	168	*	*	
TOTAL	1449	*	*	
92301-041B				
+10	250	*	*	
-10+20	61	0.164	ND	
-20+60	106	0.270	ND	
-60+100	92	0.082	ND	
-100+200	721	0.253	1	1 NUGGET
-200	405	*	*	
TOTAL	1635	*	*	
92301-044B				
+10	744	*	*	
-10+20	409	0.273	ND	
-20+60	365	0.186	1	1 NUGGET
-60+100	365	0.237	ND	
-100+200	190	0.145	ND	
-200	136	*	*	
TOTAL	2209	*	*	

SAMPLE NUMBER	Weight (g)	HMC Wt (g)	#Au Grains Observed	Grain Shape
92301-048B				
+10	1631	*	*	
-10+20	68	0.112	ND	
-20+60	141	0.161	ND	
-60+100	89	0.233	ND	
-100+200	183	0.168	1	1 SLIVER
-200	240	*	*	
TOTAL	2352	*	*	
92301-054B				
+10	1662	*	*	
-10+20	21	0.206	ND	
-20+60	57	0.231	ND	
-60+100	25	0.113	ND	
-100+200	10	0.118	ND	
-200	192	*	*	
TOTAL	1942	*	*	
92301-056B				
+10	690	*	*	
-10+20	62	0.595	ND	
-20+60	144	0.286	ND	
-60+100	424	0.108	ND	
-100+200	411	0.298	ND	
-200	504	*	*	
TOTAL	2235	*	*	
92301-063B				
+10	4410	*	*	
-10+20	339	0.279	ND	
-20+60	35	0.285	ND	
-60+100	17	0.442	ND	
-100+200	2	0.328	1	1 FLAT FLAKE
-200	4	*	*	
TOTAL	4807	*	*	
92301-065B				
+10	3973	*	*	
-10+20	192	0.609	ND	
-20+60	304	0.235	ND	
-60+100	83	0.365	ND	
-100+200	2	0.266	ND	
-200	4	*	*	
TOTAL	4558	*	*	

SAMPLE NUMBER	Weight (g)	HMC Wt (g)	#Au Grains Observed	Grain Shape
92301-066B				
+10	17	*	*	
-10+20	2	0.199	ND	
-20+60	249	0.267	ND	
-60+100	608	0.344	ND	
-100+200	30	0.270	ND	
-200	4	*	*	
TOTAL	910	*	*	
92301-067B				
+10	2	*	*	
-10+20	1	0.034	ND	
-20+60	57	0.162	1	FLAT OXIDISED
-60+100	551	0.146	ND	
-100+200	312	0.151	ND	
-200	8	*	*	
TOTAL	931	*	*	
92301-075B				
+10	5	*	*	
-10+20	3	0.130	ND	
-20+60	1371	0.181	ND	
-60+100	297	0.173	ND	
-100+200	1	0.075	ND	
-200	4	*	*	
TOTAL	1681	*	*	
92301-078B				
+10	2763	*	*	
-10+20	62	0.334	ND	
-20+60	66	0.344	ND	
-60+100	69	0.173	ND	
-100+200	1	0.103	ND	
-200	2	*	*	
TOTAL	2963	*	*	
92301-079B				
+10	940	*	*	
-10+20	486	0.397	ND	
-20+60	1032	0.254	ND	
-60+100	270	0.208	ND	
-100+200	35	0.163	ND	
-200	36	*	*	
TOTAL	2799	*	*	

SAMPLE NUMBER	Weight (g)	HMC Wt (g)	#Au Grains Observed	Grain Shape
92301-083B				
+10	1434	*	*	
-10+20	188	0.193	ND	
-20+60	2174	0.141	ND	
-60+100	294	0.122	ND	
-100+200	17	0.215	ND	
-200	4	*	*	
TOTAL	4111	*	*	
92301-102B				
+10	1382	*	*	
-10+20	866	0.304	ND	
-20+60	1439	0.478	ND	
-60+100	194	0.181	ND	
-100+200	11	0.164	ND	
-200	14	*	*	
TOTAL	3906	*	*	
92301-103B				
+10	2784	*	*	
-10+20	303	0.240	ND	
-20+60	791	0.302	ND	
-60+100	420	0.168	ND	
-100+200	55	0.195	ND	
-200	36	*	*	
TOTAL	4389	*	*	
92301-104B				
+10	2818	*	*	
-10+20	176	0.318	ND	
-20+60	298	0.365	ND	
-60+100	785	0.261	ND	
-100+200	225	0.263	ND	
-200	38	*	*	
TOTAL	4340	*	*	
92301-105B				
+10	1524	*	*	
-10+20	367	0.131	ND	
-20+60	223	0.613	ND	
-60+100	285	0.114	ND	
-100+200	506	0.242	ND	
-200	376	*	*	
TOTAL	3281	*	*	

SAMPLE NUMBER	Weight (g)	HMC Wt (g)	#Au Grains Observed	Grain Shape
92301-106B				
+10	3855	*	*	
-10+20	598	0.432	ND	
-20+60	220	0.254	ND	
-60+100	26	0.158	ND	
-100+200	3	0.143	ND	
-200	16	*	*	
TOTAL	4718	*	*	
92301-109B				
+10	405	*	*	
-10+20	60	0.157	ND	
-20+60	111	0.392	ND	
-60+100	59	0.146	ND	
-100+200	69	0.159	ND	
-200	669	*	*	
TOTAL	1373	*	*	
92301-111B				
+10	1222	*	*	
-10+20	316	0.194	ND	
-20+60	373	0.498	ND	
-60+100	160	0.183	ND	
-100+200	117	0.173	ND	
-200	476	*	*	
TOTAL	2664	*	*	
92301-112B				
+10	1255	*	*	
-10+20	1725	0.231	ND	
-20+60	657	0.374	ND	
-60+100	113	0.433	ND	
-100+200	3	0.148	ND	
-200	10	*	*	
TOTAL	3763	*	*	
92301-114B				
+10	2680	*	*	
-10+20	728	0.413	ND	
-20+60	395	0.361	ND	
-60+100	460	0.178	1	FLAT STRIATED
-100+200	49	0.166	ND	
-200	48	*	*	
TOTAL	4360	*	*	

SAMPLE NUMBER	Weight (g)	HMC Wt (g)	#Au Grains Observed	Grain Shape
92301-117B				
+10	1800	*	*	
-10+20	335	0.301	ND	
-20+60	578	0.604	ND	
-60+100	1219	0.200	ND	
-100+200	138	0.219	ND	
-200	26	*	*	
TOTAL	4096	*	*	
92301-119B				
+10	2247	*	*	
-10+20	698	0.238	ND	
-20+60	522	0.359	ND	
-60+100	13	0.230	ND	
-100+200	3	0.163	ND	
-200	14	*	*	
TOTAL	3497	*	*	
92301-120B				
+10	2814	*	*	
-10+20	1425	0.217	ND	
-20+60	254	0.272	ND	
-60+100	3	0.102	ND	
-100+200	1	0.053	ND	
-200	2	*	*	
TOTAL	4499	*	*	
92301-122B				
+10	79	*	*	
-10+20	1729	0.552	ND	
-20+60	2957	0.423	ND	
-60+100	15	0.127	ND	
-100+200	1	0.080	ND	
-200	1	*	*	
TOTAL	4782	*	*	

SAMPLE NUMBER	Weight (g)	HMC Wt (g)	#Au Grains Observed	Grain Shape
92042-005				
+10	32	*	*	
-10+20	4	0.175	ND	
-20+60	42	0.125	ND	
-60+100	2152	0.224	1	1 NUGGET
-100+200	1409	0.458	ND	
-200	62	*	*	
TOTAL	3701	*	*	
92042-007				
+10	95	*	*	
-10+20	78	0.077	ND	
-20+60	2661	0.344	ND	
-60+100	906	0.238	ND	
-100+200	30	0.630	ND	
-200	4	*	*	
TOTAL	3774	*	*	
92042-008				
+10	870	*	*	
-10+20	150	0.347	ND	
-20+60	1301	0.517	ND	
-60+100	1469	0.251	ND	
-100+200	95	0.220	1	1 NUGGET
-200	46	*	*	
TOTAL	3931	*	*	
92042-009				
+10	20	*	*	
-10+20	10	0.079	ND	
-20+60	3001	0.716	ND	
-60+100	955	0.265	ND	
-100+200	20	0.650	ND	
-200	14	*	*	
TOTAL	4020	*	*	
92042-010				
+10	766	*	*	
-10+20	328	0.359	ND	
-20+60	513	0.314	ND	
-60+100	484	0.221	ND	
-100+200	67	0.201	ND	
-200	32	*	*	
TOTAL	2190	*	*	

SAMPLE NUMBER	Weight (g)	HMC Wt (g)	#Au Grains Observed	Grain Shape
92042-014				
+10	1638	*	*	
-10+20	90	0.187	ND	
-20+60	165	0.380	ND	
-60+100	101	0.239	ND	
-100+200	116	0.229	2	NEEDLES
-200	788	*	*	
TOTAL	2898	*	*	
92042-015				
+10	2467	*	*	
-10+20	78	0.095	ND	
-20+60	218	0.330	ND	
-60+100	542	0.191	ND	
-100+200	890	0.202	ND	
-200	128	*	*	
TOTAL	4323	*	*	
92042-016				
+10	153	*	*	
-10+20	44	0.281	ND	
-20+60	482	0.527	ND	
-60+100	745	0.224	ND	
-100+200	1784	0.218	ND	
-200	518	*	*	
TOTAL	3726	*	*	
92042-018				
+10	1789	*	*	
-10+20	366	0.225	ND	
-20+60	929	0.445	ND	
-60+100	456	0.285	ND	
-100+200	386	0.232	ND	
-200	182	*	*	
TOTAL	4108	*	*	
92042-019				
+10	1847	*	*	
-10+20	13	0.163	ND	
-20+60	250	0.722	ND	
-60+100	776	0.227	ND	
-100+200	1084	0.296	ND	
-200	240	*	*	
TOTAL	4210	*	*	

SAMPLE NUMBER	Weight (g)	HMC Wt (g)	#Au Grains Observed	Grain Shape
92042-021-1				
+10	<1	*	*	
-10+20	<1	0.052	ND	
-20+60	18	0.147	ND	
-60+100	90	0.182	ND	
-100+200	123	0.199	ND	
-200	36	*	*	
TOTAL	267	*	*	
92042-021-2				
+10	11	*	*	
-10+20	2	0.121	ND	
-20+60	26	0.290	ND	
-60+100	74	0.124	ND	
-100+200	109	0.181	ND	
-200	30	*	*	
TOTAL	252	*	*	
92042-021-3				
+10	22	*	*	
-10+20	2	0.095	ND	
-20+60	14	0.199	ND	
-60+100	51	0.104	ND	
-100+200	103	0.181	ND	
-200	54	*	*	
TOTAL	246	*	*	
92042-021-4				
+10	15	*	*	
-10+20	5	0.066	ND	
-20+60	12	0.208	ND	
-60+100	16	0.164	ND	
-100+200	45	0.255	ND	
-200	116	*	*	
TOTAL	209	*	*	
92042-030				
+10	9	*	*	
-10+20	28	0.263	ND	
-20+60	1481	0.632	ND	
-60+100	1581	0.939	ND	
-100+200	917	1.196	ND	
-200	26	*	*	
TOTAL	4042	*	*	

SAMPLE NUMBER	Weight (g)	HMC Wt (g)	#Au Grains Observed	Grain Shape
92042-031				
+10	369	*	*	
-10+20	24	0.223	ND	
-20+60	421	0.848	ND	
-60+100	1926	0.217	ND	
-100+200	1076	0.407	ND	
-200	96	*	*	
TOTAL	3912	*	*	
92042-034				
+10	47	*	*	
-10+20	60	0.112	ND	
-20+60	501	0.361	ND	
-60+100	640	0.219	ND	
-100+200	1951	0.201	ND	
-200	556	*	*	
TOTAL	3755	*	*	
92042-036				
+10	1439	*	*	
-10+20	282	0.116	ND	
-20+60	1415	0.146	ND	
-60+100	605	0.374	ND	
-100+200	226	0.386	ND	
-200	210	*	*	
TOTAL	4177	*	*	
92042-038				
+10	1485	*	*	
-10+20	127	0.438	ND	
-20+60	658	0.214	ND	
-60+100	375	0.427	ND	
-100+200	494	0.236	ND	
-200	366	*	*	
TOTAL	3505	*	*	
92042-040				
+10	880	*	*	
-10+20	52	0.403	ND	
-20+60	1601	0.407	ND	
-60+100	927	0.231	ND	
-100+200	354	0.130	ND	
-200	324	*	*	
TOTAL	4138	*	*	

SAMPLE NUMBER	Weight (g)	HMC Wt (g)	#Au Grains Observed	Grain Shape
92042-042				
+10	964	*	*	
-10+20	119	0.456	ND	
-20+60	773	0.710	ND	
-60+100	404	0.410	ND	
-100+200	513	0.309	1	FLAT/FOLDED
-200	716	*	*	
TOTAL	3489	*	*	
92042-044				
+10	77	*	*	
-10+20	31	0.420	ND	
-20+60	857	0.332	ND	
-60+100	1353	0.360	ND	
-100+200	1131	0.336	ND	
-200	390	*	*	
TOTAL	3839	*	*	
92042-046				
+10	678	*	*	
-10+20	122	0.309	ND	
-20+60	1554	0.319	ND	
-60+100	1369	0.331	ND	
-100+200	308	0.412	ND	
-200	44	*	*	
TOTAL	4075	*	*	
92042-051				
+10	111	*	*	
-10+20	15	0.102	ND	
-20+60	1112	0.150	ND	
-60+100	1679	0.278	ND	
-100+200	772	0.224	ND	
-200	82	*	*	
TOTAL	3771	*	*	
92042-052				
+10	61	*	*	
-10+20	8	0.265	ND	
-20+60	113	0.436	ND	
-60+100	2401	0.259	ND	
-100+200	1284	0.240	ND	
-200	56	*	*	
TOTAL	3923	*	*	

Table 2. Gold values.

SAMPLE NUMBER	Weight (g)	Au PPB	Geographic Location	Water Depth (m)
92301-005B				
CONC. (-10+200 mesh sizes)	0.999	5	Victoria	0.0
NATIVE Au	<0.001	19469	Cove	
CONC.+ NATIVE Au TOTAL	0.999	19474		
-200	34	97	49 20.8727	
FLOAT Wt.	4042	**	54 29.4321	
HEAD GRADE	4076.999	5.6		
**HEAD GRADE		100.9		
92301-012B				
CONC. (-10+200 mesh sizes)	0.730	5	Victoria	2.1
NATIVE Au	<0.001	ND	Cove	
CONC.+ NATIVE Au TOTAL	0.730	5		
-200	326	21	49 21.0555	
FLOAT Wt.	2719	**	54 29.2014	
HEAD GRADE	3045.730	2.2		
**HEAD GRADE		21		
92301-015B				
CONC. (-10+200 mesh sizes)	1.185	5	Hunts	0.0
NATIVE Au	<0.001	ND	Cove	
CONC.+ NATIVE Au TOTAL	1.185	5		
-200	20	155	49 31.7126	
FLOAT Wt.	3261	**	54 29.7966	
HEAD GRADE	3282.185	1.0		
**HEAD GRADE		155		
92301-026B				
CONC. (-10+200 mesh sizes)	1.219	5	Rodgers	0.0
NATIVE Au	<0.001	ND	Cove	
CONC.+ NATIVE Au TOTAL	1.219	5		
-200	96	240	49 21.9728	
FLOAT Wt.	3849	**	54 30.2324	
HEAD GRADE	3946.219	5.8		
**HEAD GRADE		239.9		
92301-028B				
CONC. (-10+200 mesh sizes)	1.174	14830	Rodgers	0.0
NATIVE Au	<0.001	ND	Cove	
CONC.+ NATIVE Au TOTAL	1.174	14830		
-200	44	168	49 22.0595	
FLOAT Wt.	3581	**	54 30.2990	
HEAD GRADE	3626.174	6.8		
**HEAD GRADE		172.7		

SAMPLE NUMBER	Weight (g)	Au PPB	Geographic Location	Water Depth (m)
92301-031B				
CONC. (-10+200 mesh sizes)	0.651	5	Victoria	2.0
NATIVE Au	<0.001	ND	Cove	
CONC.+NATIVE Au TOTAL	0.651	5		
-200	48	1450	49 20.97	
FLOAT Wt.	1549	**	54 29.00	
HEAD GRADE	1593.651	44.9		
**HEAD GRADE		1449.4		
92301-033B				
CONC. (-10+200 mesh sizes)	0.745	5	Gander	16.0
NATIVE Au	<0.001	ND	Bay	
CONC.+NATIVE Au TOTAL	0.745	5		
-200	124	22	49 23.70	
FLOAT Wt.	2225	**	54 26.74	
HEAD GRADE	2349.745	1.1		
**HEAD GRADE		22.0		
92301-039B				
CONC. (-10+200 mesh sizes)	0.674	1780	Dog	33.5
NATIVE Au	<0.001	ND	Bay	
CONC.+NATIVE Au TOTAL	0.674	1780		
-200	168	15	49 31.06	
FLOAT Wt.	1281	**	54 28.56	
HEAD GRADE	1449.674	2.6		
**HEAD GRADE		15.8		
92301-041B				
CONC. (-10+200 mesh sizes)	0.769	5	Dog	22.0
NATIVE Au	<0.001	<250	Bay	
CONC.+NATIVE Au TOTAL	0.769	5		
-200	405	7	49 30.71	
FLOAT Wt.	1230	**	54 29.55	
HEAD GRADE	1635.769	1.7		
**HEAD GRADE		7.0		
92301-044B				
CONC. (-10+200 mesh sizes)	0.841	5	Dog	13.2
NATIVE Au	<0.001	ND	Bay	
CONC.+NATIVE Au TOTAL	0.841	5		
-200	136	8	49 29.49	
FLOAT Wt.	2073	**	54 28.83	
HEAD GRADE	2209.841	0.5		
**HEAD GRADE		8.0		

SAMPLE NUMBER	Weight (g)	Au PPB	Geographic Location	Water Depth (m)
92301-048B				
CONC. (-10+200 mesh sizes)	0.674	5	Dog	9.0
NATIVE Au	<0.001	<250	Bay	
CONC.+ NATIVE Au TOTAL	0.674	5		
-200	240	11	49 27.9743	
FLOAT Wt.	2112	**	54 31.8317	
HEAD GRADE	2352.674	1.1		
**HEAD GRADE		11.0		
92301-054B				
CONC. (-10+200 mesh sizes)	0.668	2220	Gander	7.5
NATIVE Au	<0.001	ND	Bay	
CONC.+ NATIVE Au TOTAL	0.668	2220		
-200	192	14	49 20.23	
FLOAT Wt.	1750	**	54 27.20	
HEAD GRADE	1942.668	2.1		
**HEAD GRADE		14.7		
92301-056B				
CONC. (-10+200 mesh sizes)	1.287	5	Gander	10.0
NATIVE Au	<0.001	ND	Bay	
CONC.+NATIVE Au TOTAL	1.287	5		
-200	504	5	49 20.81	
FLOAT Wt.	1731	**	54 26.34	
HEAD GRADE	2236.287	1.1		
**HEAD GRADE		5.0		
92301-063B				
CONC. (-10+200 mesh sizes)	1.334	5	Nickey's	2.0
NATIVE Au	<0.001	5114	Nose Cove	
CONC.+NATIVE Au TOTAL	1.334	5119		
-200	4	5	49 41.6219	
FLOAT Wt.	4803	**	55 58.1258	
HEAD GRADE	4804.334	1.4		
**HEAD GRADE		6.4		
92301-065B				
CONC. (-10+200 mesh sizes)	1.475	5	Burgess	1.0
NATIVE Au	<0.001	ND	Cove	
CONC.+ NATIVE Au TOTAL	1.475	5		
-200	4	5	49 42.8567	
FLOAT Wt.	4554	**	55 53.7187	
HEAD GRADE	4559.475	<0.1		
**HEAD GRADE		57		

SAMPLE NUMBER	Weight (g)	Au PPB	Geographic Location	Water Depth (m)
92301-066B				
CONC. (-10+200 mesh sizes)	1.080	5	Burgess Cove	2.7
NATIVE Au	<0.001	ND		
CONC.+ NATIVE Au TOTAL	1.080	5		
-200	4	800	49 42.8567	
FLOAT Wt.	906	**	55 53.7187	
HEAD GRADE	911.080	3.5		
**HEAD GRADE		799.0		
92301-067B				
CONC. (-10+200 mesh sizes)	0.493	9210	Upwards Cove	6.5
NATIVE Au	<0.001	9229		
CONC.+ NATIVE Au TOTAL	0.493	18439		
-200	8	60	49 42.2195	
FLOAT Wt.	923	**	55 55.5081	
HEAD GRADE	931.493	10.3		
**HEAD GRADE		69.7		
92301-075B				
CONC. (-10+200 mesh sizes)	0.559	5410	The Arch	6.3
NATIVE Au	<0.001	ND		
CONC.+ NATIVE Au TOTAL	0.559	5410		
-200	4	5	49 41.7702	
FLOAT Wt.	1677	**	55 59.7380	
HEAD GRADE	1681.559	1.8		
**HEAD GRADE		6.8		
92301-078B				
CONC. (-10+200 mesh sizes)	0.954	5	Eastern Point	1.0
NATIVE Au	<0.001	ND		
CONC.+ NATIVE Au TOTAL	0.954	5		
-200	2	5	49 41.53	
FLOAT Wt.	2961	**	55 59.78	
HEAD GRADE	2963.954	<0.1		
**HEAD GRADE		5		
92301-079B				
CONC. (-10+200 mesh sizes)	1.022	2500	Middle Arm Spit	0.0
NATIVE Au	<0.001	ND		
CONC.+ NATIVE Au TOTAL	1.022	2500		
-200	36	5	49 41.8900	
FLOAT Wt.	2763	**	56 06.1646	
HEAD GRADE	2800.022	1.0		
**HEAD GRADE		5.9		

SAMPLE NUMBER	Weight (g)	Au PPB	Geographic Location	Water Depth (m)
92301-083B				
CONC. (-10+200 mesh sizes)	0.671	5	Winterhouse Cove	0.0
NATIVE Au	<0.001	ND		
CONC.+ NATIVE Au TOTAL	0.671	5		
-200	4	5	49 44.2066	
FLOAT Wt.	4107	**	56 01.4442	
HEAD GRADE	4111.671	<0.1		
**HEAD GRADE		5.0		
92301-102B				
CONC. (-10+200 mesh sizes)	1.127	5	Beaver Cove	0.0
NATIVE Au	<0.001	ND		
CONC.+ NATIVE Au TOTAL	1.127	5		
-200	14	26	49 24.7834	
FLOAT Wt.	3892	**	54 23.4816	
HEAD GRADE	3907.127	0.1		
**HEAD GRADE		26.0		
92301-103B				
CONC. (-10+200 mesh sizes)	0.905	5	Mann Point	0.0
NATIVE Au	<0.001	ND		
CONC.+NATIVE Au TOTAL	0.905	5		
-200	36	13	49 21.9791	
FLOAT Wt.	4353	**	54 25.8501	
HEAD GRADE	4389.905	0.1		
**HEAD GRADE		13.0		
92301-104B				
CONC. (-10+200 mesh sizes)	1.207	5	Main Point	0.0
NATIVE Au	<0.001	ND		
CONC.+ NATIVE Au TOTAL	1.207	5		
-200	38	24	49 20.1951	
FLOAT Wt.	4302	**	54 25.5990	
HEAD GRADE	4341.207	0.2		
**HEAD GRADE		24.0		
92301-105B				
CONC. (-10+200 mesh sizes)	1.100	5	East Side Gander Bay	0.0
NATIVE Au	<0.001	ND		
CONC.+ NATIVE Au TOTAL	1.100	5		
-200	376	14	49 18.9751	
FLOAT Wt.	2905	**	54 26.8272	
HEAD GRADE	3282.100	1.6		
**HEAD GRADE		14.0		

SAMPLE NUMBER	Weight (g)	Au PPB	Geographic Location	Water Depth (m)
92301-106B				
CONC. (-10+200 mesh sizes)	0.987	5	Horwood	0.0
NATIVE Au	<0.001	ND		
CONC.+NATIVE Au TOTAL	0.987	5		
-200	16	18	49 28.1464	
FLOAT Wt.	4702	**	54 30.6180	
HEAD GRADE	4718.987	0.1		
**HEAD GRADE		18.0		
92301-109B				
CONC. (-10+200 mesh sizes)	0.854	5	Head	0.0
NATIVE Au	<0.001	ND	Dog Bay	
CONC.+NATIVE Au TOTAL	0.854	5		
-200	669	5	49 25.7810	
FLOAT Wt.	704	**	54 33.5518	
HEAD GRADE	1373.854	2.4		
**HEAD GRADE		5.0		
92301-111B				
CONC. (-10+200 mesh sizes)	1.048	5	Head	0.0
NATIVE Au	<0.001	ND	Dog Bay	
CONC.+NATIVE Au TOTAL	1.048	5		
-200	476	5	49 25.4186	
FLOAT Wt.	2188	**	54 34.0526	
HEAD GRADE	2664.048	0.9		
**HEAD GRADE		5.0		
92301-112B				
CONC. (-10+200 mesh sizes)	1.186	5	West Side	0.0
NATIVE Au	<0.001	ND	Dog Bay	
CONC.+NATIVE Au TOTAL	1.186	5		
-200	10	74	49 28.8105	
FLOAT Wt.	3753	**	54 31.4589	
HEAD GRADE	3764.186	0.2		
**HEAD GRADE		74.0		
92301-114B				
CONC. (-10+200 mesh sizes)	1.118	5	Clarke's	0.0
NATIVE Au	<0.001	<250	Head	
CONC.+NATIVE Au TOTAL	1.118	5		
-200	48	23	49 17.0835	
FLOAT Wt.	4312	**	54 30.0073	
HEAD GRADE	4361.118	0.2		
**HEAD GRADE		23.0		

SAMPLE NUMBER	Weight (g)	Au PPB	Geographic Location	Water Depth (m)
92301-117B				
CONC. (-10+200 mesh sizes)	1.324	5	Main Point	0.0
NATIVE Au	<0.001	ND		
CONC.+ NATIVE Au TOTAL	1.324	5		
-200	26	133	49 20.9634	
FLOAT Wt.	4070	**	54 25.3147	
HEAD GRADE	4097.324	0.8		
**HEAD GRADE		133.0		
92301-119B				
CON. (-10+20 mesh size)	0.990	5	Boyd's Cove	0.0
NATIVE Au	<0.001	ND		
CONC.+ NATIVE Au TOTAL	0.990	5		
-200	14	86	49 26.9543	
FLOAT Wt.	3483	**	54 38.8715	
HEAD GRADE	3497.990	0.3		
**HEAD GRADE		86.0		
92301-120B				
CONC. (-10+200 mesh sizes)	0.644	5	Webber Bight	0.0
NATIVE Au	<0.001	ND		
CONC.+ NATIVE Au TOTAL	0.644	5		
-200	2	5	49 36.0833	
FLOAT Wt.	4497	**	54 48.3075	
HEAD GRADE	4499.644	<0.1		
**HEAD GRADE		5		
92301-122B				
CONC. (-10+200 mesh sizes)	1.182	5	Nickey's Nose Cove	0.0
NATIVE Au	<0.001	ND		
CONC.+ NATIVE Au TOTAL	1.182	5		
-200	1	5	49 41.5953	
FLOAT Wt.	4781	**	55 58.1180	
HEAD GRADE	4783.182	<0.1		
**HEAD GRADE		5		

SAMPLE NUMBER	Weight (g)	Au PPB	Geographic Location	Water Depth (m)
92042-005				
CONC. (-10+200 mesh sizes)	0.977	5	East Side	84.0
NATIVE Au	<0.001	11924	Fogo Island	
CONC.+ NATIVE Au TOTAL	0.977	11929		
-200	62	95	49 42.82	
FLOAT Wt.	3639	**	53 53.18	
HEAD GRADE	3701.977	4.7		
**HEAD GRADE		98.1		
92042-007				
CONC. (-10+200 mesh sizes)	1.289	5	Due East	48.0
NATIVE Au	<0.001	ND	Fogo Island	
CONC.+ NATIVE Au TOTAL	1.289	5		
-200	4	540	49 40.82	
FLOAT Wt.	3770	**	53 58.06	
HEAD GRADE	3775.289	0.6		
**HEAD GRADE		540.0		
92042-008				
CONC. (-10+200 mesh sizes)	1.335	5	Due East	51.0
NATIVE Au	<0.001	2135	Fogo Island	
CONC.+ NATIVE Au TOTAL	1.335	2140		
-200	46	250	49 40.73	
FLOAT Wt.	3885	**	53 57.13	
HEAD GRADE	3932.335	3.6		
**HEAD GRADE		250.6		
92042-009				
CONC. (-10+200 mesh sizes)	1.710	5	Due East	50.0
NATIVE Au	<0.001	ND	Fogo Island	
CONC.+ NATIVE Au TOTAL	1.710	5		
-200	14	68	49 40.97	
FLOAT Wt.	4006	**	53 57.51	
HEAD GRADE	4021.710	0.2		
**HEAD GRADE		68.0		
92042-010				
CONC. (-10+200 mesh sizes)	1.095	5	Due East	46.0
NATIVE Au	<0.001	ND	Fogo Island	
CONC.+ NATIVE Au TOTAL	1.095	5		
-200	32	69	49 40.61	
FLOAT Wt.	2158	**	53 57.07	
HEAD GRADE	2191.095	1.0		
**HEAD GRADE		69.0		

SAMPLE NUMBER	Weight (g)	Au PPB	Geographic Location	Water Depth (m)
92042-014				
CONC. (-10+200 mesh sizes)	1.035	5	NW Jackson's Cove	167.0
NATIVE Au	<0.001	<250		
CONC.+NATIVE Au TOTAL	1.035	5		
-200	788	5	49 41.90	
FLOAT Wt.	2110	**	56 00.44	
HEAD GRADE	2899.035	1.4		
**HEAD GRADE		5.0		
92042-015				
CONC. (-10+200 mesh sizes)	0.818	5	Nickey's Nose Cove	38.0
NATIVE Au	<0.001	ND		
CONC.+NATIVE Au TOTAL	0.818	5		
-200	128	10	49 41.93	
FLOAT Wt.	4195	**	55 58.19	
HEAD GRADE	4323.818	0.3		
**HEAD GRADE		10.0		
92042-016				
CONC. (-10+200 mesh sizes)	1.250	5	Nickey's Nose Cove	57.0
NATIVE Au	<0.001	ND		
CONC.+NATIVE Au TOTAL	1.250	5		
-200	518	9	49 42.15	
FLOAT Wt.	3208	**	55 58.12	
HEAD GRADE	3727.250	1.2		
**HEAD GRADE		9.0		
92042-018				
CONC(-10+200 mesh sizes)	1.187	5	Salmon Cove	38.0
NATIVE Au	<0.001	ND		
CONC.+NATIVE Au TOTAL	1.187	5		
-200	182	5	49 42.68	
FLOAT Wt.	3926	**	55 55.30	
HEAD GRADE	4109.187	0.2		
**HEAD GRADE		5.0		
92042-019				
CONC. (-10+200 mesh sizes)	1.408	5	N King's Cove	42.0
NATIVE Au	<0.001	ND		
CONC.+NATIVE Au TOTAL	1.408	5		
-200	240	5	49 42.91	
FLOAT Wt.	3970	**	55 54.16	
HEAD GRADE	4211.408	0.3		
**HEAD GRADE		5.0		

SAMPLE NUMBER	Weight (g)	Au PPB	Geographic Location	Water Depth (m)
92042-021-1				
CONC. (-10+200 mesh sizes)	0.580	5	Deer	52.0
NATIVE Au	<0.001	ND	Cove	
CONC.+ NATIVE Au TOTAL	0.580	5		
-200	36	26	50 01.32	
FLOAT Wt.	231	**	56 03.51	
HEAD GRADE	267.580	3.5		
**HEAD GRADE		26.0		
92042-021-2				
CONC. (-10+200 mesh sizes)	0.716	5	Deer	52.0
NATIVE Au	<0.001	ND	Cove	
CONC.+ NATIVE Au TOTAL	0.716	5		
-200	30	30	50 01.32	
FLOAT Wt.	222	**	56 03.51	
HEAD GRADE	252.716	3.6		
**HEAD GRADE		29.9		
92042-021-3				
CONC. (-10+200 mesh sizes)	0.579	5	Deer	52.0
NATIVE Au	<0.001	ND	Cove	
CONC.+ NATIVE Au TOTAL	0.579	5		
-200	54	170	50 01.32	
FLOAT Wt.	192	**	56 03.51	
HEAD GRADE	246.579	37.2		
**HEAD GRADE		169.6		
92042-021-4				
CONC. (-10+200 mesh sizes)	0.693	5	Deer	52.0
NATIVE Au	<0.001	ND	Cove	
CONC.+ NATIVE Au TOTAL	0.693	5		
-200	116	22	50 01.32	
FLOAT Wt.	93	**	56 03.51	
HEAD GRADE	209.693	12.2		
**HEAD GRADE		21.9		
92042-030				
CONC. (-10+200 mesh sizes)	3.030	53	La Scie	74.0
NATIVE Au	<0.001	ND		
CONC.+ NATIVE Au TOTAL	3.030	53		
-200	26	170	49 59.10	
FLOAT Wt.	4016	**	55 36.42	
HEAD GRADE	4045.030	1.1		
**HEAD GRADE		169.9		

SAMPLE NUMBER	Weight (g)	Au PPB	Geographic Location	Water Depth (m)
92042-031				
CONC. (-10+200 mesh sizes)	1.695	5	La Scie	72.0
NATIVE Au	<0.001	ND		
CONC.+ NATIVE Au TOTAL	1.695	5		
-200	96	55	49 59.91	
FLOAT Wt.	3816	**	55 34.38	
HEAD GRADE	3913.695	1.3		
**HEAD GRADE		55.0		
92042-034				
CONC. (-10+200 mesh sizes)	0.893	1520	Wild	98.0
NATIVE Au	<0.001	ND	Bight	
CONC.+ NATIVE Au TOTAL	0.893	1520		
-200	556	5	49 37.19	
FLOAT Wt.	3199	**	55 37.48	
HEAD GRADE	3755.893	1.1		
**HEAD GRADE		5.4		
92042-036				
CONC. (-10+200 mesh sizes)	1.022	5	Wild	92.0
NATIVE Au	<0.001	ND	Bight	
CONC.+ NATIVE Au TOTAL	1.022	5		
-200	210	5	49 37.24	
FLOAT Wt.	3967	**	55 37.79	
HEAD GRADE	4178.022	0.2		
**HEAD GRADE		5.0		
92042-038				
CONC. (-10+200 mesh sizes)	1.315	5	Wild	81.0
NATIVE Au	<0.001	ND	Bight	
CONC.+ NATIVE Au TOTAL	1.315	5		
-200	366	5	49 38.16	
FLOAT Wt.	3139	**	55 38.63	
HEAD GRADE	3506.315	0.5		
**HEAD GRADE		5.0		
92042-040				
CONC. (-10+200 mesh sizes)	1.171	5	Wild	76.0
NATIVE Au	<0.001	ND	Bight	
CONC.+ NATIVE Au TOTAL	1.171	5		
-200	324	5	49 36.80	
FLOAT Wt.	3814	**	55 37.52	
HEAD GRADE	4139.171	0.4		
**HEAD GRADE		5.0		

SAMPLE NUMBER	Weight (g)	Au PPB	Geographic Location	Water Depth (m)
92042-042				
CONC. (-10+200 mesh sizes)	1.885	270	Wild	92.0
NATIVE Au	<0.001	4668	Bight	
CONC.+ NATIVE Au TOTAL	1.885	4938		
-200	716	5	49 36.31	
FLOAT Wt.	2773	**	55 32.37	
HEAD GRADE	3490.885	3.7		
**HEAD GRADE		7.7		
92042-044				
CONC. (-10+200 mesh sizes)	1.448	5	Wild	75.0
NATIVE Au	<0.001	ND	Bight	
CONC.+ NATIVE Au TOTAL	1.448	5		
-200	390	5	49 36.63	
FLOAT Wt.	3449	**	55 36.89	
HEAD GRADE	3840.448	0.5		
**HEAD GRADE		5.0		
92042-046				
CONC. (-10+200 mesh sizes)	1.371	5	E Cape	102.0
NATIVE Au	<0.001	ND	Fogo	
CONC.+ NATIVE Au TOTAL	1.371	5		
-200	44	15	49 46.056	
FLOAT Wt.	4031	**	53 46.262	
HEAD GRADE	4076.371	0.2		
**HEAD GRADE		15.0		
92042-051				
CONC. (-10+200 mesh sizes)	0.754	5	E Cape	102.0
NATIVE Au	<0.001	ND	Fogo	
CONC.+ NATIVE Au TOTAL	0.754	5		
-200	82	32	49 44.25	
FLOAT Wt.	3689	**	53 50.90	
HEAD GRADE	3771.754	0.7		
**HEAD GRADE		32.0		
92042-052				
CONC. (-10+200 mesh sizes)	1.200	5	E Cape	71.0
NATIVE Au	<0.001	ND	Fogo	
CONC.+ NATIVE Au TOTAL	1.200	5		
-200	56	120	49 39.71	
FLOAT Wt.	3867	**	53 53.63	
HEAD GRADE	3924.200	1.7		
**HEAD GRADE		120.0		

Table 3. Weight and size of visible mineral grains.

SAMPLE NUMBER	Cu (μg)	Au (μg)	Ag (μg)	SIZE (μm)
92301-05	15.60	19.45	3.50	380/310
92301-05	0.75	<0.25	0.50	140
92301-41	0.30	<0.25	<0.10	110
92301-48	3.85	<0.25	<0.10	320
92301-63	1.20	5.80	1.00	240
92301-67	0.60	4.55	1.50	250
92301-114	14.30	<0.25	<0.10	460
92054-005	0.50	11.65	1.00	225
92042-008	2.00	2.85	1.00	140/190
92042-014	1.75	<0.25	<0.10	180/220
92042-042	0.40	8.80	0.50	215

